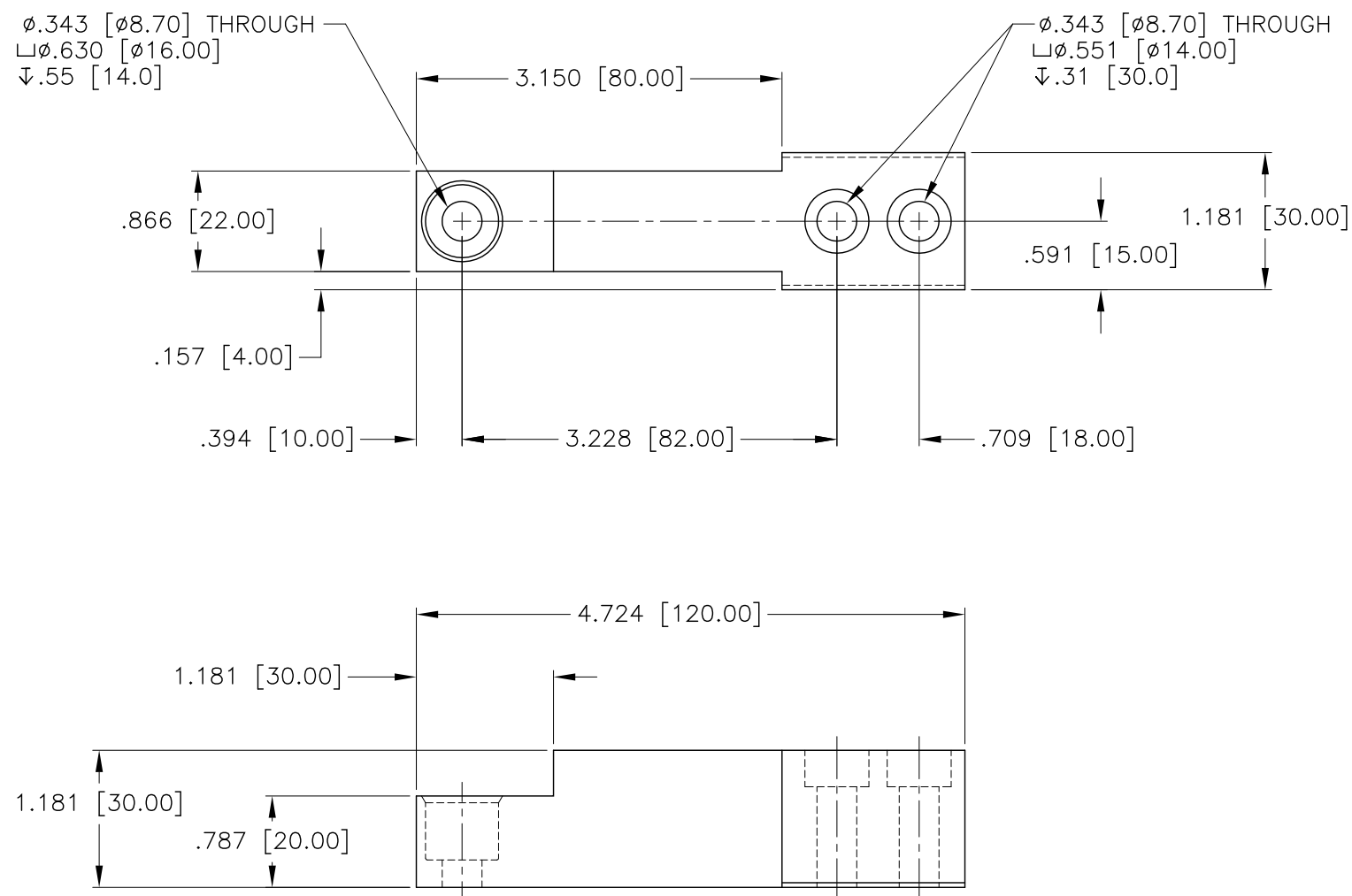


REV.	ECO/DDC	DESCRIPTION	DATE	DRAFT	CHECK	APV'D
A	----	RELEASED.	12-08-14	V.J.C.	N.H.S.	E.J.

MODEL NUMBER DUMMY LOAD CELL	ASSOCIATED LOAD SENSOR	CAPACITY LBS [KN]
HI DLC-BBH06-450LB	HI BBH06-44	44 LB [0.2KN]
	HI BBH06-110	110 LB [0.5KN]
	HI BBH06-225	225 LB [1KN]
	HI BBH06-450	450 LB [2KN]



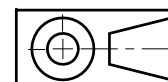
DIMENSIONS - INCHES & [mm]


2. DUMMY LOAD CELL IS CONSTRUCTED FROM 17-4PH STAINLESS STEEL.

1. THIS DRAWING IS SUBJECT TO CHANGE WITHOUT NOTICE.

NOTES: UNLESS OTHERWISE SPECIFIED

PROPRIETARY NOTICE
 ALL DATA AND INFORMATION CONTAINED IN OR DISCLOSED BY THIS DOCUMENT IS CONFIDENTIAL AND PROPRIETARY INFORMATION OF HARDY PROCESS SOLUTIONS INC. AND ALL RIGHTS THEREIN ARE EXPRESSLY RESERVED. BY ACCEPTING THIS MATERIAL THE RECIPIENT AGREES THAT THIS MATERIAL AND THE INFORMATION CONTAINED THEREIN IS HELD IN CONFIDENCE AND IN TRUST AND SHALL NOT BE USED, COPIED, REPRODUCED IN WHOLE OR IN PART, NOR ITS CONTENTS REVEALED IN ANY MANNER TO OTHERS, EXCEPT TO MEET THE SPECIFIC PURPOSE FOR WHICH IT WAS DELIVERED.



		0588-0168	OUTLINE DRAWING, DUMMY LOAD CELL, HI DLC-BBH06 SERIES				
ITEM	QTY	PART NUMBER	DESCRIPTION	COMMENTS			
PARTS LIST							
UNLESS OTHERWISE SPECIFIED DIMENSIONS ARE IN INCH [MM]		CONTRACT NO.		 HARDY PROCESS SOLUTIONS			
TOLERANCES ARE:		APPROVALS					
FRACTIONS: N/A		DRAWN	DATE				
DECIMALS: .XX = ±.03 [.8]		V. CHULA	12-03-14				
.XXX = ±.010 [.25]		CHECKED	DATE	OUTLINE DRAWING, DUMMY LOAD CELL, HI DLC-BBH06 SERIES			
ANGLES: ±0°, 30'		N. SCHERRER	12-05-14				
MATERIAL	APPROVED	E. JAMES	12-08-14				
FINISH	ISSUED	V. CHULA	12-08-14				
DO NOT SCALE DRAWING		PRODUCTION	DATE	SIZE	FSCM	DRAWING NO.	REV.
				D	21316	0588-0168	A
		FILE NAME: 588168A1.DWG		SCALE: NONE	SHEET 1 OF 1		